

PHi-350 WATER STORAGE MIXER



Description: The PHI 350 mixer is unique in that it utilizes large air bubbles which are sequentially injected into a liquid to create powerful mixing currents. The system is contained in an NEMA-4X enclosure.

PROVEN TO

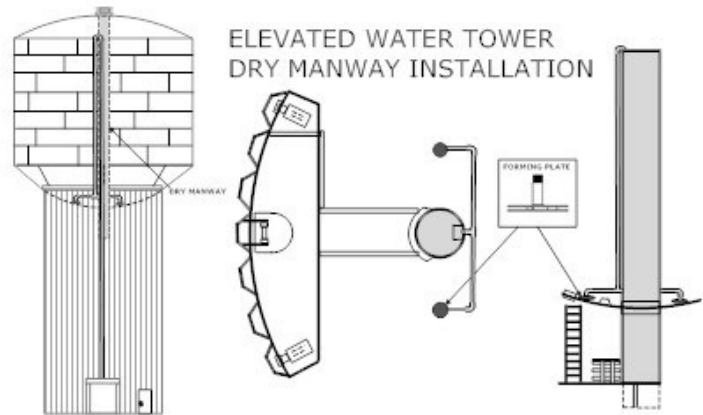
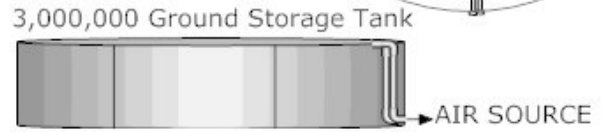
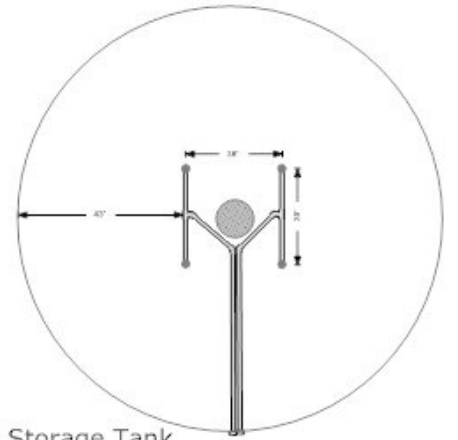
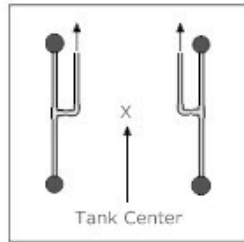
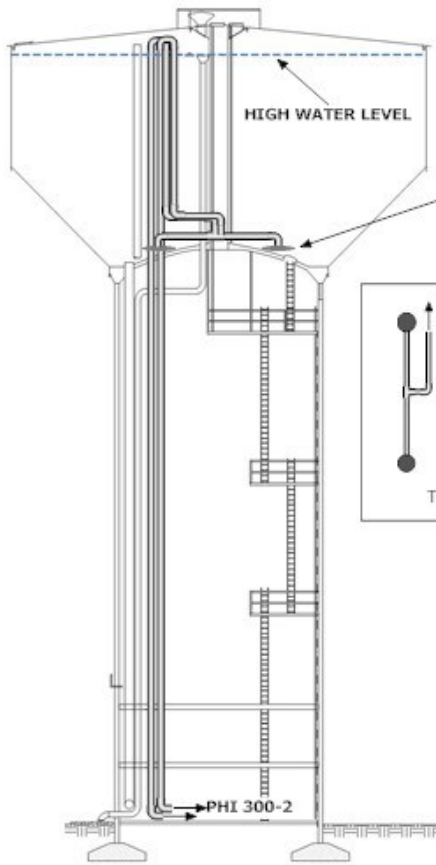
- Eliminate thermoclines and stratification of the water in storage tanks
- Prevent nitrification of drinking water
- Keep purification chemicals in solution
- Reduce chlorine use



Bubble Forming Plate: The only equipment installed in the vessel is the NSF-61 approved bubble forming plate and piping. The bubble forming plate is an 8-inch disk consisting of two 3/16" SS plates which are separated by 3/16" and connected to a 1-inch NPT pipe. Piping is run from the enclosure and connected to the bubble forming plate. The electro-pneumatic valve delivers the compressed air through the piping to the forming plates where it is squished between the two plates thus creating a large, relatively flat bubble. The mixing is created by the bubble rapidly rising to the top the vessel, forcing the water to the sides of the tank, down the walls and back to the bubble forming plate.

Applications: The PHi-350 is used to mix potable water tanks of any size or shape. The sequenced bubbles quickly mix water tanks to prevent stratification and maintain chlorine residuals equally throughout. Since stratification and residual loss does not typically reoccur within 24 hours, mixing once per day for 60 minutes will keep the potable water within required chlorine specifications without hot spots or bio-film formation.

Energy Savings: Substantial energy is saved as the system typically needs to operate once per day for 60 minutes.



A Pennsylvania water utility compared the chlorine reading of their PHi mixed water tank to their two other non-mixed tanks. They discovered that the mixed tank had a free chlorine reading of .3 ppm in and .2 ppm out. The non-mixed tanks had a free CL reading of .8 ppm in and .03 ppm out and 1.1 ppm in and .15 out, respectively.

FOR INFORMATION: Visit our website at www.phewater.com, email info@phewater.com, call us at (800) 641-1726, or write us at 15 Oro Beach Dr., Oroville, WA 98844

